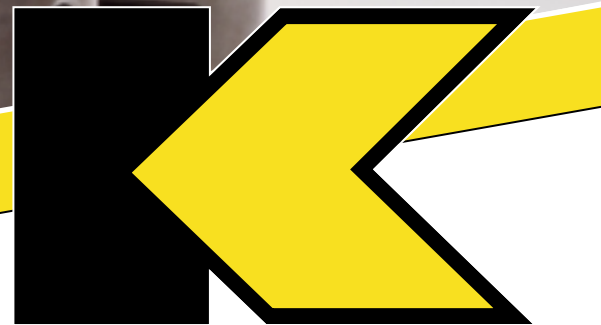


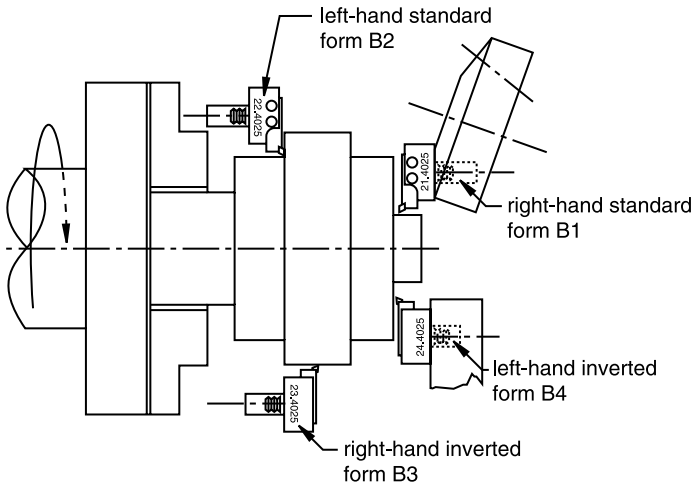
# VDI

## Tooling Catalog 7022

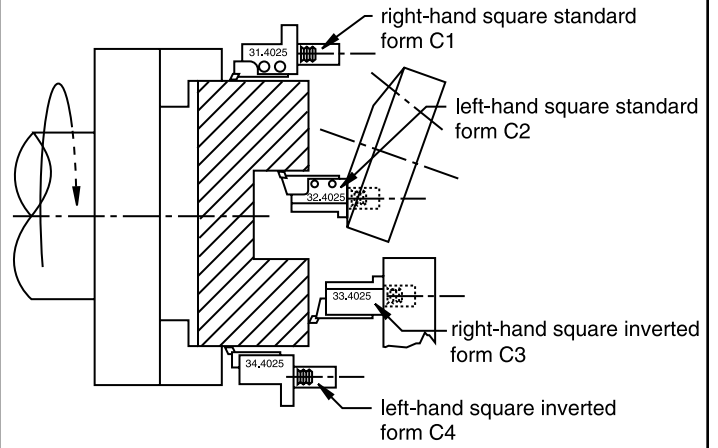


**KENNAMETAL®**

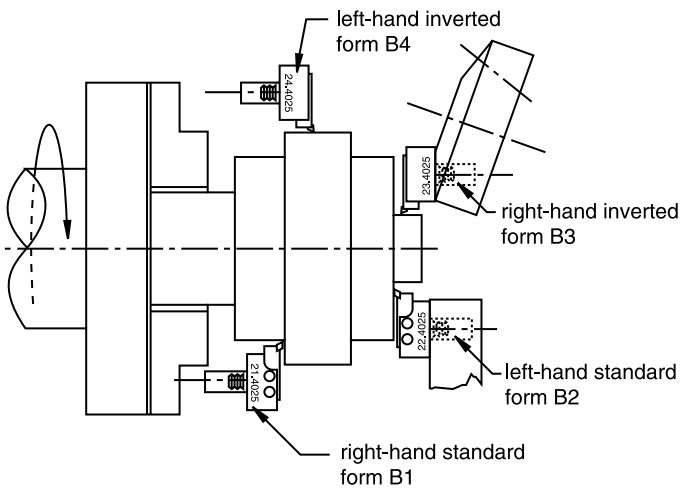
**left-hand (clockwise) spindle rotation**



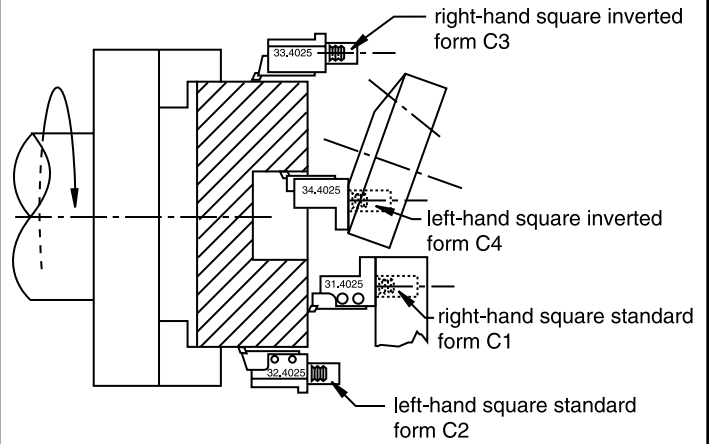
**left-hand (clockwise) spindle rotation**



**right-hand (counterclockwise) spindle rotation**



**right-hand (counterclockwise) spindle rotation**



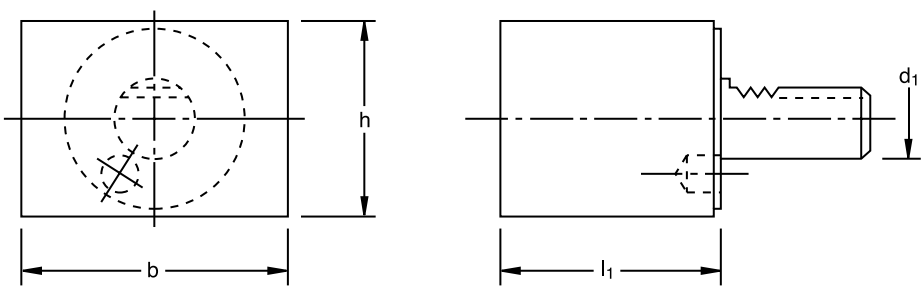
## Table of Contents



<b>VDI products</b>	<b>form</b>	<b>page</b>
rectangular blank .....	A1	4
round blank .....	A2	4
right-hand short .....	B1	5
left-hand short .....	B2	5
right-hand short inverted .....	B3	6
left-hand short inverted .....	B4	6
right-hand long .....	B5	7
left-hand long .....	B6	7
right-hand long inverted .....	B7	8
left-hand long inverted .....	B8	8
square right-hand .....	C1	9
square left-hand .....	C2	9
square right-hand inverted .....	C3	10
square left-hand inverted .....	C4	10
square .....	D1	11
square-inverted .....	D2	11
boring bar internal coolant .....	E1	12
boring bar dual coolant .....	E2	13,14
taper drill socket - TV .....		15
toolholder bushing - CV .....		15
collet chuck - ER .....	E3	16
collet chuck - TG .....		16
steel plug .....	Z2	17
Morse taper .....		17
Mazak tooling .....		18,19
KM-LOC .....		19

## Rectangular Blank

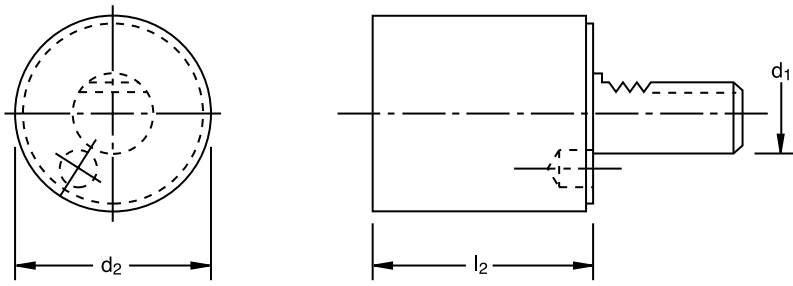
**Form A1**



catalog number	d <sub>1</sub>	l <sub>1</sub>	b	h	catalog number	d <sub>1</sub>	l <sub>1</sub>	b	h
VDI-A1-16-44-78-44	16	44	78	44	VDI-A1-40-100-151-96	40	100	151	96
VDI-A1-20-50-60-60	20	50	60	60	VDI-A1-50-125-160-120	50	125	160	120
VDI-A1-20-65-100-60	20	65	100	60	VDI-A1-60-160-165-125	60	160	165	125
VDI-A1-25-65-100-60	25	65	100	60	VDI-A1-80-200-220-160	80	200	220	160
VDI-A1-30-85-130-76	30	85	130	76					

## Round Blank

**Form A2**



catalog number	d <sub>1</sub>	d <sub>2</sub>	l <sub>2</sub>	catalog number	d <sub>1</sub>	d <sub>2</sub>	l <sub>2</sub>
VDI-A2-16-40-60	16	40	60	VDI-A2-40-83-200	40	83	200
VDI-A2-20-50-70	20	50	70	VDI-A2-40-83-320	40	83	320
VDI-A2-20-52-160	20	52	160	VDI-A2-50-98-135	50	98	135
VDI-A2-25-58-80	25	58	80	VDI-A2-50-98-220	50	98	220
VDI-A2-25-58-200	25	58	200	VDI-A2-50-98-400	50	98	400
VDI-A2-30-68-100	30	68	100	VDI-A2-60-123-150	60	123	150
VDI-A2-30-68-150	30	68	150	VDI-A2-60-123-250	60	123	250
VDI-A2-30-70-200	30	70	200	VDI-A2-60-123-480	60	123	480
VDI-A2-30-68-240	30	68	240	VDI-A2-80-158-250	80	158	250
VDI-A2-40-83-120	40	83	120	VDI-A2-80-158-500	80	158	500
VDI-A2-40-83-150	40	83	150				



## Right-Hand Short

Form B1														
catalog number	d <sub>1</sub>	b <sub>1</sub>	b <sub>2</sub>	b <sub>3</sub>	h <sub>1</sub> (in.)	h <sub>2</sub>	h <sub>3</sub>	h <sub>4</sub>	h <sub>5</sub>	h <sub>6</sub>	h <sub>8</sub>	l <sub>1</sub>	l <sub>2</sub>	α
VDI-B1-1612	16	42	23	5	.500	17	15	15	20	22	18	13	24	30
VDI-B1-1612-1	16	42	23	5	.500	17	15	15	20	22	18	23	34	30
VDI-B1-2016	20	55	30	7	.625	22	19	19	25	30	23	16	30	30
VDI-B1-2016-1	20	55	30	7	.625	22	19	19	25	30	23	26	40	30
VDI-B1-2516	25	55	30	7	.625	22	22,5	22,5	25	30	25	16	30	30
VDI-B1-2516-1	25	55	30	7	.625	22	22,5	22,5	25	30	25	26	40	30
VDI-B1-3020	30	70	35	10	.750	29	26	22	28	38	30	22	40	25
VDI-B1-3020-1	30	70	35	10	.750	29	26	22	28	38	30	42	60	25
VDI-B1-4025	40	85	42,5	12,5	1.000	34	35	30	32,5	48	42	22	44	30
VDI-B1-5032	50	100	50	16	1.250	41	42	35	35	60	—	30	55	—
VDI-B1-6032	60	125	62,5	16	1.250	41	46	42,5	42,5	62,5	—	30	60	—
VDI-B1-8040	80	160	80	20	1.500	53	60	55	55	80	—	40	75	—

## Left-Hand Short

Form B2														
catalog number	d <sub>1</sub>	b <sub>1</sub>	b <sub>2</sub>	b <sub>3</sub>	h <sub>1</sub> (in.)	h <sub>2</sub>	h <sub>3</sub>	h <sub>4</sub>	h <sub>5</sub>	h <sub>6</sub>	h <sub>8</sub>	l <sub>1</sub>	l <sub>2</sub>	α
VDI-B2-1612	16	42	23	5	.500	17	15	15	20	22	18	13	24	30
VDI-B2-1612-1	16	42	23	5	.500	17	15	15	20	22	18	23	34	30
VDI-B2-2016	20	55	30	7	.625	22	19	19	25	30	23	16	30	30
VDI-B2-2016-1	20	55	30	7	.625	22	19	19	25	30	23	26	40	30
VDI-B2-2516	25	55	30	7	.625	22	22,5	22,5	25	30	25	16	30	30
VDI-B2-2516-1	25	55	30	7	.625	22	22,5	22,5	25	30	25	26	40	30
VDI-B2-3020	30	70	35	10	.750	29	26	22	28	38	30	22	40	30
VDI-B2-3020-1	30	70	35	10	.750	29	26	22	28	38	30	42	60	25
VDI-B2-4025	40	85	42,5	12,5	1.000	34	35	30	32,5	48	42	22	44	30
VDI-B2-5032	50	100	50	16	1.250	41	42	35	35	60	—	30	55	—
VDI-B2-6032	60	125	62,5	16	1.250	41	46	42,5	42,5	62,5	—	30	60	—
VDI-B2-8040	80	160	80	20	1.500	53	60	55	55	80	—	40	75	—

## Right-Hand Short Inverted

**Form B3**

catalog number	d <sub>1</sub>	b <sub>1</sub>	b <sub>2</sub>	b <sub>3</sub>	h <sub>1</sub> (in.)	h <sub>2</sub>	h <sub>3</sub>	h <sub>4</sub>	h <sub>6</sub>	h <sub>7</sub>	h <sub>9</sub>	l <sub>1</sub>	l <sub>2</sub>	α
VDI-B3-1612	16	42	23	5	.500	17	15	15	22	20	18	13	24	30
VDI-B3-1612-1	16	42	23	5	.500	17	15	15	22	20	18	23	34	30
VDI-B3-2016	20	55	30	7	.625	22	19	19	30	25	23	16	30	30
VDI-B3-2016-1	20	55	30	7	.625	22	19	19	30	25	23	26	40	30
VDI-B3-2516	25	55	30	7	.625	22	22,5	22,5	30	25	25	16	30	30
VDI-B3-2516-1	25	55	30	7	.625	22	22,5	22,5	30	25	25	26	40	30
VDI-B3-3020	30	70	35	10	.750	29	26	22	38	35	28	22	40	25
VDI-B3-3020-1	30	70	35	10	.750	29	26	22	38	35	28	42	60	25
VDI-B3-4025	40	85	42,5	12,5	1.000	34	35	30	48	42,5	32,5	22	44	30
VDI-B3-5032	50	100	50	16	1.250	41	42	35	60	50	—	30	55	—
VDI-B3-6032	60	125	62,5	16	1.250	41	46	42,5	62,5	62,5	—	30	60	—
VDI-B3-8040	80	160	30	20	1.500	53	60	55	80	80	—	40	75	—

## Left-Hand Short Inverted

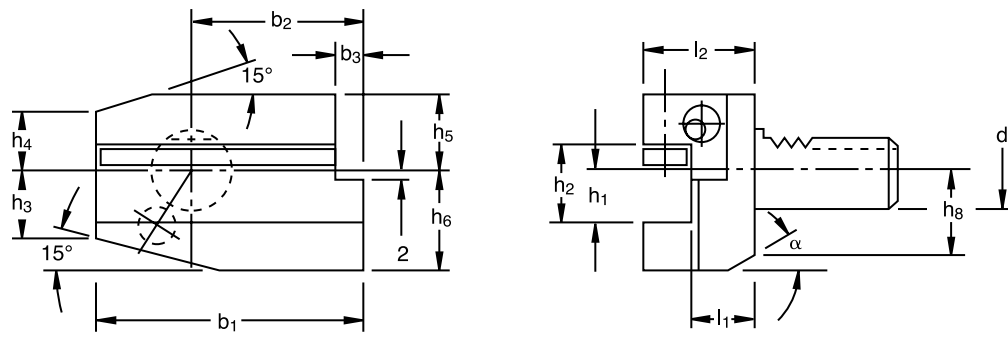
**Form B4**

catalog number	d <sub>1</sub>	b <sub>1</sub>	b <sub>2</sub>	b <sub>3</sub>	h <sub>1</sub> (in.)	h <sub>2</sub>	h <sub>3</sub>	h <sub>4</sub>	h <sub>6</sub>	h <sub>7</sub>	h <sub>9</sub>	l <sub>1</sub>	l <sub>2</sub>	α
VDI-B4-1612	16	42	23	5	.500	17	15	15	22	20	18	13	24	30
VDI-B4-1612-1	16	42	23	5	.500	17	15	15	22	20	18	23	34	30
VDI-B4-2016	20	55	30	7	.625	22	19	19	30	25	23	16	30	30
VDI-B4-2016-1	20	55	30	7	.625	22	19	19	30	25	23	26	40	30
VDI-B4-2516	25	55	30	7	.625	22	22,5	22,5	30	25	25	16	30	30
VDI-B4-2516-1	25	55	30	7	.625	22	22,5	22,5	30	25	25	26	40	30
VDI-B4-3020	30	70	35	10	.750	29	26	22	38	35	28	22	40	25
VDI-B4-3020-1	30	70	35	10	.750	29	26	22	38	35	28	42	60	25
VDI-B4-4025	40	85	42,5	12,5	1.000	34	35	30	48	42,5	32,5	22	44	30
VDI-B4-5032	50	100	50	16	1.250	41	42	35	60	50	—	30	55	—
VDI-B4-6032	60	125	62,5	16	1.250	41	46	42,5	62,5	62,5	—	30	60	—
VDI-B4-8040	80	160	80	20	1.500	53	60	55	80	80	—	40	75	—



## Right-Hand Long

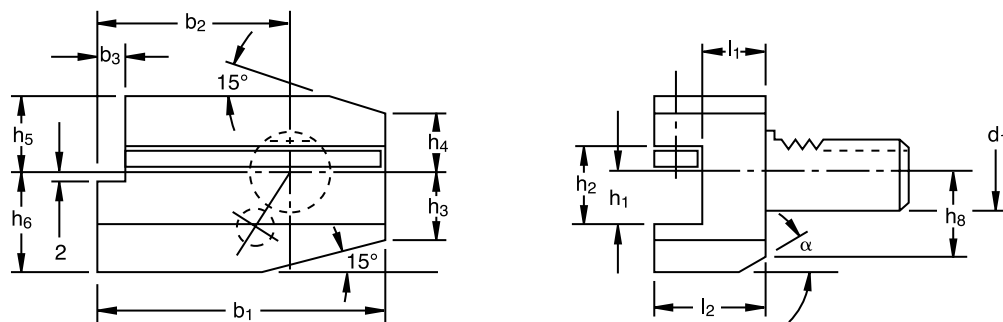
Form B5



catalog number	d <sub>1</sub>	b <sub>1</sub>	b <sub>2</sub>	b <sub>3</sub>	h <sub>1</sub> (in.)	h <sub>2</sub>	h <sub>3</sub>	h <sub>4</sub>	h <sub>5</sub>	h <sub>6</sub>	h <sub>8</sub>	l <sub>1</sub>	l <sub>2</sub>	α
VDI-B5-1612	16	58	39	5	.500	17	15	15	20	22	18	13	24	30
VDI-B5-1612-1	16	58	39	5	.500	17	15	15	20	22	18	23	34	30
VDI-B5-2016	20	75	50	7	.625	22	19	19	25	30	23	16	30	30
VDI-B5-2016-1	20	75	50	7	.625	22	19	19	25	30	23	26	40	30
VDI-B5-2516	25	75	50	7	.625	22	22,5	22,5	25	30	25	16	30	30
VDI-B5-2516-1	25	75	50	7	.625	22	22,5	22,5	25	30	25	26	40	30
VDI-B5-3020	30	100	65	10	.750	29	26	22	28	38	30	22	40	25
VDI-B5-3020-1	30	100	65	10	.750	29	26	22	28	38	30	42	60	25
VDI-B5-4025	40	118	75,5	12,5	1.000	34	35	30	32,5	48	42	22	44	30
VDI-B5-5032	50	130	80	16	1.250	41	42	35	35	60	—	30	55	—
VDI-B5-6032	60	145	82,5	16	1.250	41	46	42,5	42,5	62,5	—	30	60	—
VDI-B5-8040	80	190	110	20	1.500	53	60	55	55	80	—	40	75	—

## Left-Hand Long

Form B6



catalog number	d <sub>1</sub>	b <sub>1</sub>	b <sub>2</sub>	b <sub>3</sub>	h <sub>1</sub> (in.)	h <sub>2</sub>	h <sub>3</sub>	h <sub>4</sub>	h <sub>5</sub>	h <sub>6</sub>	h <sub>8</sub>	l <sub>1</sub>	l <sub>2</sub>	α
VDI-B6-1612	16	58	39	5	.500	17	15	15	20	22	18	13	24	30
VDI-B6-1612-1	16	58	39	5	.500	17	15	15	20	22	18	23	34	30
VDI-B6-2016	20	75	50	7	.625	22	19	19	25	30	23	16	30	30
VDI-B6-2016-1	20	75	50	7	.625	22	19	19	25	30	23	26	40	30
VDI-B6-2516	25	75	50	7	.625	22	22,5	22,5	25	30	25	16	30	30
VDI-B6-2516-1	25	75	50	7	.625	22	22,5	22,5	25	30	25	26	40	30
VDI-B6-3020	30	100	65	10	.750	29	26	22	28	38	30	22	40	25
VDI-B6-3020-1	30	100	65	10	.750	29	26	22	28	38	30	42	60	25
VDI-B6-4025	40	118	75,5	12,5	1.000	34	35	30	32,5	48	42	22	44	30
VDI-B6-5032	50	130	80	16	1.250	41	42	35	35	60	—	30	55	—
VDI-B6-6032	60	145	82,5	16	1.250	41	46	42,5	42,5	62,5	—	30	60	—
VDI-B6-8040	80	190	110	20	1.500	53	60	55	55	80	—	40	75	—

## Right-Hand Long Inverted

**Form B7**

catalog number	d <sub>1</sub>	b <sub>1</sub>	b <sub>2</sub>	b <sub>3</sub>	h <sub>1</sub> (in.)	h <sub>2</sub>	h <sub>3</sub>	h <sub>4</sub>	h <sub>6</sub>	h <sub>7</sub>	h <sub>9</sub>	l <sub>1</sub>	l <sub>2</sub>	α
VDI-B7-1612	16	58	39	5	.500	17	15	15	22	20	18	13	24	30
VDI-B7-1612-1	16	58	39	5	.500	17	15	15	22	20	18	23	34	30
VDI-B7-2016	20	75	50	7	.625	22	19	19	30	25	23	16	30	30
VDI-B7-2016-1	20	75	50	7	.625	22	19	19	30	25	23	26	40	30
VDI-B7-2516	25	75	50	7	.625	22	22,5	22,5	30	25	25	16	30	30
VDI-B7-2516-1	25	75	50	7	.625	22	22,5	22,5	30	25	25	26	40	30
VDI-B7-3020	30	100	65	10	.750	29	26	22	38	35	28	22	40	25
VDI-B7-3020-1	30	100	65	10	.750	29	26	22	38	35	28	42	60	25
VDI-B7-4025	40	118	75,5	12,5	1.000	34	35	30	48	42,5	32,5	22	44	30
VDI-B7-5032	50	130	80	16	1.250	41	42	35	60	50	—	30	55	—
VDI-B7-6032	60	145	82,5	16	1.250	41	46	42,5	62,5	62,5	42,5	30	60	—
VDI-B7-8040	80	190	110	20	1.500	53	50	55	80	80	—	40	75	—

## Left-Hand Long Inverted

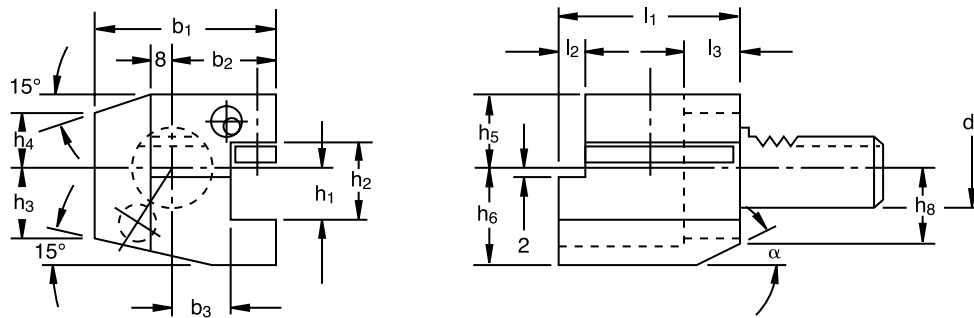
**Form B8**

catalog number	d <sub>1</sub>	b <sub>1</sub>	b <sub>2</sub>	b <sub>3</sub>	h <sub>1</sub> (in.)	h <sub>2</sub>	h <sub>3</sub>	h <sub>4</sub>	h <sub>6</sub>	h <sub>7</sub>	h <sub>9</sub>	l <sub>1</sub>	l <sub>2</sub>	α
VDI-B8-1612	16	58	39	5	.500	17	15	15	22	20	18	13	24	30
VDI-B8-1612-1	16	58	39	5	.500	17	15	15	22	20	18	23	34	30
VDI-B8-2016	20	75	50	7	.625	22	19	19	30	25	23	16	30	30
VDI-B8-2016-1	20	75	50	7	.625	22	19	19	30	25	23	26	40	30
VDI-B8-2516	25	75	50	7	.625	22	22,5	22,5	30	25	25	16	30	30
VDI-B8-2516-1	25	75	50	7	.625	22	22,5	22,5	30	25	25	26	40	30
VDI-B8-3020	30	100	65	10	.750	29	26	22	38	35	28	22	40	25
VDI-B8-3020-1	30	100	65	10	.750	29	26	22	38	35	28	42	60	25
VDI-B8-4025	40	118	75,5	12,5	1.000	34	35	30	48	42,5	32,5	22	44	30
VDI-B8-5032	50	130	80	16	1.250	41	42	35	60	50	—	30	55	—
VDI-B8-6032	60	145	82,5	16	1.250	41	46	42,5	62,5	62,5	—	30	60	—
VDI-B8-8040	80	190	110	20	1.500	53	60	55	80	80	—	40	75	—



## Square Right-Hand

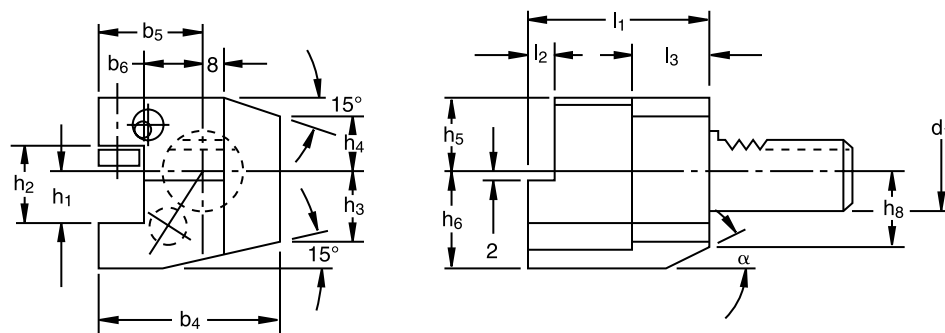
Form C1



catalog number	d <sub>1</sub>	b <sub>1</sub>	b <sub>2</sub>	b <sub>3</sub>	h <sub>1</sub> (in.)	h <sub>2</sub>	h <sub>3</sub>	h <sub>4</sub>	h <sub>5</sub>	h <sub>6</sub>	h <sub>8</sub>	l <sub>1</sub>	l <sub>2</sub>	l <sub>3</sub>	α
VDI-C1-1612	16	43	24	13	.500	17	15	15	20	22	18	44	5	20	30
VDI-C1-2016	20	52	27	13	.625	22	19	19	25	30	23	55	7	30	30
VDI-C1-2016-1	20	65	40	26	.625	22	19	19	25	30	23	50	7	30	30
VDI-C1-2516	25	58	33	19	.625	22	22,5	22,5	25	30	25	55	7	20	30
VDI-C1-3020	30	70	35	17	.750	29	26	22	28	38	30	70	10	30	25
VDI-C1-4025	40	85	42,5	20,5	1.000	34	35	30	32,5	48	42	85	12,5	30	30
VDI-C1-5032	50	100	50	25,5	1.250	41	42	35	35	60	—	100	16	40	—
VDI-C1-6032	60	125	62,5	32,5	1.250	41	46	42,5	42,5	62,5	—	125	16	40	—
VDI-C1-8040	80	160	80	41	1.500	53	60	55	55	80	—	160	20	40	—

## Square Left-Hand

Form C2



catalog number	d <sub>1</sub>	b <sub>4</sub>	b <sub>5</sub>	b <sub>6</sub>	h <sub>1</sub> (in.)	h <sub>2</sub>	h <sub>3</sub>	h <sub>4</sub>	h <sub>5</sub>	h <sub>6</sub>	h <sub>8</sub>	l <sub>1</sub>	l <sub>2</sub>	l <sub>3</sub>	α
VDI-C2-1612	16	43	24	13	.500	17	15	15	20	22	18	44	5	20	30
VDI-C2-2016	20	65	40	26	.625	22	19	19	25	30	23	50	7	30	30
VDI-C2-2516	25	58	33	19	.625	22	22,5	22,5	25	30	25	55	7	20	30
VDI-C2-3020	30	76	41	23	.750	29	26	22	28	38	30	70	10	30	25
VDI-C2-4025	40	90	47,5	25,5	1.000	34	35	30	32,5	48	42	85	12,5	30	30
VDI-C2-5032	50	105	55	30,5	1.250	41	42	35	35	60	—	100	16	40	—
VDI-C2-6032	60	125	62,5	32,5	1.250	41	46	42,5	42,5	62,5	—	125	16	40	—
VDI-C2-8040	80	160	80	41	1.500	53	60	55	55	80	—	160	20	40	—

## Square Right-Hand Inverted

**Form C3**

catalog number	d <sub>1</sub>	b <sub>1</sub>	b <sub>2</sub>	b <sub>3</sub>	h <sub>1</sub> (in.)	h <sub>2</sub>	h <sub>3</sub>	h <sub>4</sub>	h <sub>6</sub>	h <sub>7</sub>	h <sub>9</sub>	l <sub>1</sub>	l <sub>2</sub>	l <sub>3</sub>	α
VDI-C3-1612	16	43	24	13	.500	17	15	15	22	20	18	44	5	20	30
VDI-C3-2016	20	52	27	13	.625	22	19	19	30	25	23	55	7	30	30
VDI-C3-2016-1	20	65	40	26	.625	22	19	19	30	25	23	50	7	30	30
VDI-C3-2516	25	58	33	19	.625	22	22,5	22,5	30	25	25	55	7	20	30
VDI-C3-3020	30	70	35	17	.750	29	26	22	38	35	28	70	10	30	25
VDI-C3-4025	40	85	42,5	20,5	1.000	34	35	30	48	42,5	42	85	12,5	30	30
VDI-C3-5032	50	100	50	25,5	1.250	41	42	35	60	50	—	100	16	40	—
VDI-C3-6032	60	125	62,5	32,5	1.250	41	46	42,5	62,5	62,5	—	125	16	40	—
VDI-C3-8040	80	160	80	41	1.500	53	60	55	80	80	—	160	20	40	—

## Square Left-Hand Inverted

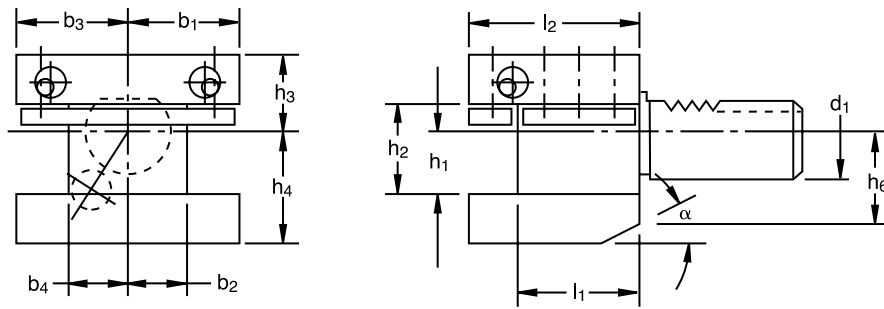
**Form C4**

catalog number	d <sub>1</sub>	b <sub>4</sub>	b <sub>5</sub>	b <sub>6</sub>	h <sub>1</sub> (in.)	h <sub>2</sub>	h <sub>3</sub>	h <sub>4</sub>	h <sub>6</sub>	h <sub>7</sub>	h <sub>9</sub>	l <sub>1</sub>	l <sub>2</sub>	l <sub>3</sub>	α
VDI-C4-1612	16	43	24	13	.500	17	15	15	22	20	18	44	5	20	30
VDI-C4-2016	20	65	40	26	.625	22	19	19	30	25	23	55	7	30	30
VDI-C4-2516	25	58	33	19	.625	22	22,5	22,5	30	25	25	55	7	20	30
VDI-C4-3020	30	76	41	23	.750	29	26	22	38	35	28	70	10	30	25
VDI-C4-4025	40	90	47,5	25,5	1.000	34	35	30	48	42,5	42	85	12,5	30	30
VDI-C4-5032	50	105	55	30,5	1.250	41	42	35	60	50	—	100	16	40	—
VDI-C4-6032	60	125	62,5	32,5	1.250	41	46	42,5	62,5	62,5	—	125	16	40	—
VDI-C4-8040	80	160	80	41	1.500	53	60	55	80	80	—	160	20	40	—



## Square

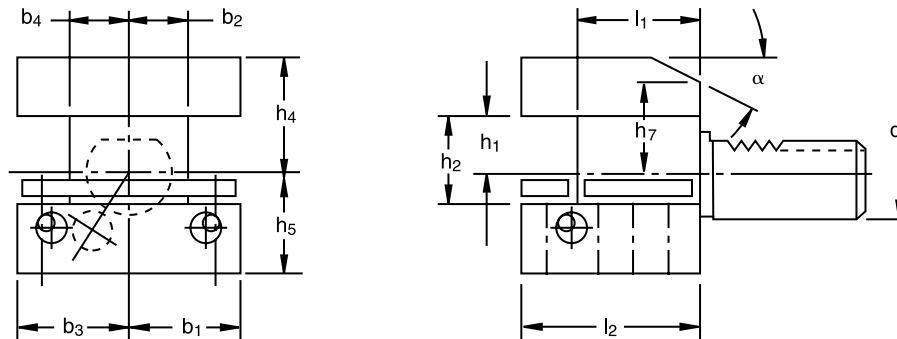
Form D1



catalog number	d <sub>1</sub>	b <sub>1</sub>	b <sub>2</sub>	b <sub>3</sub>	b <sub>4</sub>	h <sub>1</sub> (in.)	h <sub>2</sub>	h <sub>3</sub>	h <sub>4</sub>	h <sub>6</sub>	l <sub>1</sub>	l <sub>2</sub>	α
VDI-D1-2516	25	33	19	33	19	.625	22	25	30	25	34	48	30
VDI-D1-3020	30	35	17	41	23	.750	29	28	38	30	42	60	25
VDI-D1-4025	40	42,5	20,5	47,5	25,5	1.000	34	32,5	48	42	50	72	30
VDI-D1-5032	50	50	25,5	55	30,5	1.250	41	35	60	—	60	85	—
VDI-D1-6032	60	57,5	32,5	57,5	32,5	1.250	41	42,5	62,5	—	85	110	—
VDI-D1-8040	80	76	41	76	41	1.500	53	55	80	—	105	140	—

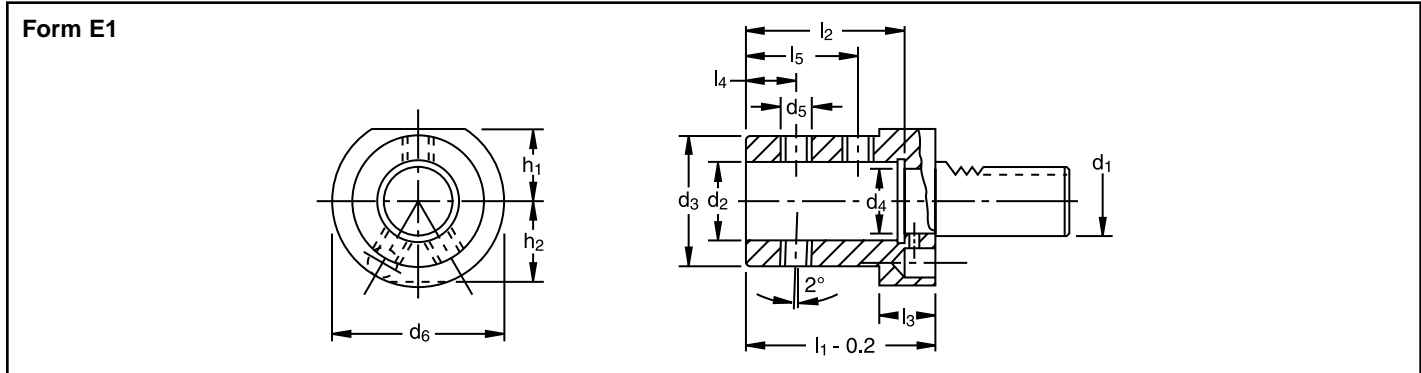
## Square Inverted

Form D2



catalog number	d <sub>1</sub>	b <sub>1</sub>	b <sub>2</sub>	b <sub>3</sub>	b <sub>4</sub>	h <sub>1</sub> (in.)	h <sub>2</sub>	h <sub>4</sub>	h <sub>5</sub>	h <sub>7</sub>	l <sub>1</sub>	l <sub>2</sub>	α
VDI-D2-2516	25	33	19	33	19	.625	22	30	25	25	34	48	30
VDI-D2-3020	30	35	17	41	23	.750	29	38	35	28	42	60	25
VDI-D2-4025	40	42,5	20,5	47,5	25,5	1.000	34	48	42,5	32,5	50	72	30
VDI-D2-5032	50	50	25,5	55	30,5	1.250	41	60	50	—	60	85	—
VDI-D2-6032	60	57,5	32,5	57,5	32,5	1.250	41	62,5	62,5	—	85	110	—
VDI-D2-8040	80	76	41	76	41	1.500	53	80	80	—	105	140	—

# Boring Bar Internal Coolant

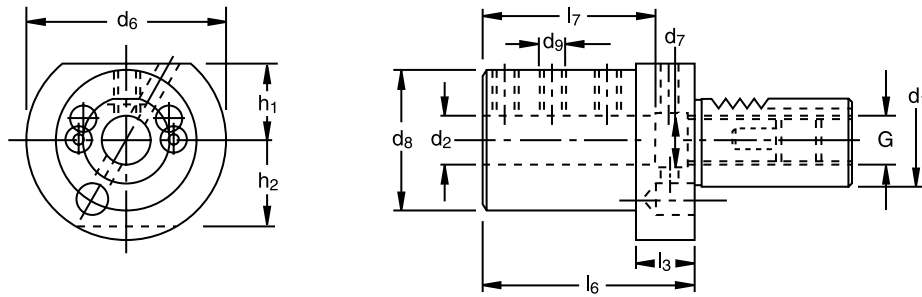


catalog number	d <sub>1</sub>	d <sub>2</sub> (in.)	d <sub>3</sub>	d <sub>4</sub>	d <sub>5</sub>	d <sub>6</sub>	h <sub>1</sub>	h <sub>2</sub>	l <sub>1</sub>	l <sub>2</sub>	l <sub>3</sub>	l <sub>4</sub>	l <sub>5</sub>
VDI-E1-2016	20	.625	36	12	3/8-24	50	23	23	67	54	18	15	35
VDI-E1-2020	20	.750	40	12	3/8-16	50	23	23	67	54	18	15	35
VDI-E1-2025	20	1.000	45	17	3/8-16	50	23	23	71	59	18	17	40
VDI-E1-2516	25	.625	36	12	3/8-16	58	25	25	67	54	18	15	35
VDI-E1-2520	25	.750	40	12	3/8-16	58	25	25	67	54	18	15	35
VDI-E1-2525	25	1.000	45	17	3/8-16	58	25	25	71	59	18	17	40
VDI-E1-3016	30	.625	36	12	3/8-16	68	28	30	67	54	22	15	35
VDI-E1-3020	30	.750	40	12	3/8-16	68	28	30	67	54	22	15	35
VDI-E1-3025	30	1.000	45	17	3/8-16	68	28	30	71	59	22	17	40
VDI-E1-3032	30	1.250	52	24	3/8-16	68	28	30	75	63	22	20	44
VDI-E1-3040	30	1.500	60	32	5/8-11	68	28	30	90	73	22	22	50
VDI-E1-4016	40	.625	36	12	3/8-16	83	32,5	—	67	54	22	15	35
VDI-E1-4020	40	.750	40	12	3/8-16	83	32,5	—	67	54	22	15	35
VDI-E1-4025	40	1.000	45	17	3/8-16	83	32,5	—	75	59	22	17	40
VDI-E1-4032	40	1.250	52	24	3/8-16	83	32,5	—	75	63	22	20	44
VDI-E1-4040	40	1.500	60	32	5/8-11	83	32,5	—	90	73	22	22	54
VDI-E1-4050	40	2.000	70	32	5/8-11	83	32,5	—	100	83	22	24	60
VDI-E1-5020	50	.750	40	12	3/8-16	98	35	—	67	54	30	15	35
VDI-E1-5025	50	1.000	45	17	3/8-16	98	35	—	80	59	30	17	40
VDI-E1-5032	50	1.250	52	24	3/8-16	98	35	—	80	63	30	20	44
VDI-E1-5040	50	1.500	60	32	5/8-11	98	35	—	100	73	30	22	54
VDI-E1-5050	50	2.000	70	42	5/8-11	98	35	—	100	83	30	24	60
VDI-E1-6020	60	.750	40	12	3/8-16	123	42,5	—	80	54	30	15	35
VDI-E1-6025	60	1.000	45	17	3/8-16	123	42,5	—	80	59	30	17	40
VDI-E1-6032	60	1.250	52	24	3/8-16	123	42,5	—	80	63	30	20	44
VDI-E1-6040	60	1.500	60	32	5/8-11	123	42,5	—	100	73	30	22	54
VDI-E1-6050	60	2.000	70	42	5/8-11	123	42,5	—	100	83	30	24	60
VDI-E1-8020	80	.750	40	12	3/8-16	158	55	—	80	54	40	15	35
VDI-E1-8025	80	1.000	45	17	3/8-16	158	55	—	80	59	40	17	40
VDI-E1-8032	80	1.250	52	24	3/8-16	158	55	—	80	63	40	20	44
VDI-E1-8040	80	1.500	60	32	1/2-13	158	55	—	100	73	40	22	54
VDI-E1-8050	80	2.000	70	42	1/2-13	158	55	—	100	83	40	24	60



## Boring Bar Dual Coolant

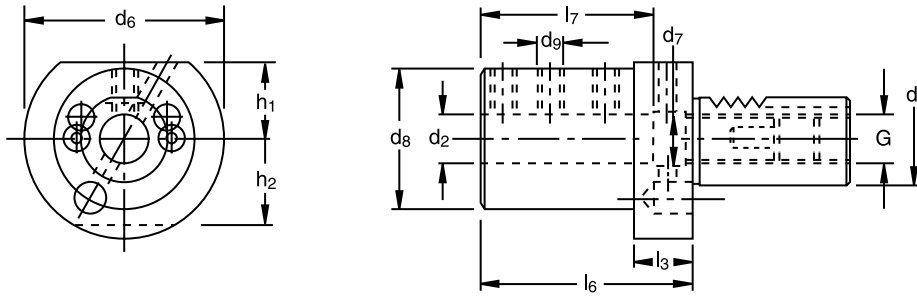
Form E2



catalog number	d <sub>1</sub>	d <sub>2</sub> (in.)	d <sub>6</sub>	d <sub>7</sub>	d <sub>8</sub>	d <sub>9</sub>	h <sub>1</sub>	h <sub>2</sub>	l <sub>3</sub>	l <sub>6</sub>	l <sub>7</sub>	G
VDI-E2-1606	16	.250	40	7	32	10-32	18	18	13	44	34	5/16-24
VDI-E2-1608	16	.313	40	7	32	10-32	18	18	13	44	34	5/16-24
VDI-E2-1610	16	.375	40	7	32	10-32	18	18	13	44	34	5/16-24
VDI-E2-1612	16	.500	40	7	40	1/4-28	18	18	13	44	34	5/16-24
VDI-E2-1616	16	.625	40	7	40	1/4-28	18	18	13	44	34	5/16-24
VDI-E2-2008	20	.313	50	9	40	10-32	23	23	18	50	41	3/8-16
VDI-E2-2010	20	.375	50	9	40	10-32	23	23	18	50	41	3/8-16
VDI-E2-2012	20	.500	50	9	40	1/4-28	23	23	18	50	41	3/8-16
VDI-E2-2016	20	.625	50	9	40	1/4-28	23	23	18	50	41	3/8-16
VDI-E2-2020	20	.750	50	9	50	1/4-28	23	23	18	50	41	3/8-16
VDI-E2-2025	20	1.000	50	9	50	1/4-28	23	23	18	60	51	3/8-16
VDI-E2-2508	25	.313	58	12,5	40	10-32	25	25	18	50	41	3/8-16
VDI-E2-2510	25	.375	58	12,5	40	10-32	25	25	18	50	41	3/8-16
VDI-E2-2512	25	.500	58	12,5	40	1/4-28	25	25	18	50	41	3/8-16
VDI-E2-2516	25	.625	58	12,5	40	1/4-28	25	25	18	50	41	3/8-16
VDI-E2-2520	25	.750	58	12,5	58	1/4-28	25	25	18	50	41	3/8-16
VDI-E2-2525	25	1.000	58	12,5	58	1/4-28	25	25	18	60	51	3/8-16
VDI-E2-3008	30	.313	68	16,5	55	10-32	28	30	22	60	51	5/8-11
VDI-E2-3010	30	.375	68	16,5	55	10-32	28	30	22	60	51	5/8-11
VDI-E2-3012	30	.500	68	16,5	55	1/4-28	28	30	22	60	51	5/8-11
VDI-E2-3016	30	.625	68	16,5	55	1/4-28	28	30	22	60	51	5/8-11
VDI-E2-3020	30	.750	68	16,5	55	1/4-28	28	30	22	60	51	5/8-11
VDI-E2-3025	30	1.000	68	16,5	55	1/4-28	28	30	22	60	51	5/8-11
VDI-E2-3032	30	1.250	68	16,5	68	1/4-28	28	30	22	75	61	5/8-11

## Boring Bar Dual Coolant (continued)

Form E2

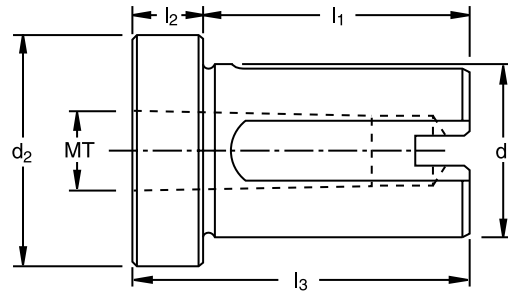


catalog number	d <sub>1</sub>	d <sub>2</sub> (in.)	d <sub>6</sub>	d <sub>7</sub>	d <sub>8</sub>	d <sub>9</sub>	h <sub>1</sub>	h <sub>2</sub>	l <sub>3</sub>	l <sub>6</sub>	l <sub>7</sub>	G
VDI-E2-4008	40	.313	83	20,5	55	1/4-28	32,5	—	22	75	61	5/8-11
VDI-E2-4010	40	.375	83	20,5	55	1/4-28	32,5	—	22	75	61	5/8-11
VDI-E2-4012	40	.500	83	20,5	55	1/4-28	32,5	—	22	75	61	5/8-11
VDI-E2-4016	40	.625	83	20,5	55	3/8-24	32,5	—	22	75	61	5/8-11
VDI-E2-4020	40	.750	83	20,5	55	3/8-24	32,5	—	22	75	61	5/8-11
VDI-E2-4025	40	1.000	83	20,5	55	3/8-24	32,5	—	22	75	61	5/8-11
VDI-E2-4032	40	1.250	83	20,5	83	3/8-24	32,5	—	22	75	61	5/8-11
VDI-E2-4040	40	1.500	83	20,5	83	3/8-24	32,5	—	22	90	76	5/8-11
VDI-E2-5012	50	.500	98	26,5	68	3/8-24	35	—	30	90	76	5/8-11
VDI-E2-5016	50	.625	98	26,5	68	3/8-24	35	—	30	90	76	5/8-11
VDI-E2-5020	50	.750	98	26,5	68	1/2-20	35	—	30	90	76	5/8-11
VDI-E2-5025	50	1.000	98	26,5	68	1/2-20	35	—	30	90	76	5/8-11
VDI-E2-5032	50	1.250	98	26,5	68	1/2-20	35	—	30	90	76	5/8-11
VDI-E2-5040	50	1.500	98	26,5	98	1/2-20	35	—	30	90	76	5/8-11
VDI-E2-5050	50	2.000	98	26,5	98	1/2-20	35	—	30	100	86	5/8-11
VDI-E2-6016	60	.625	123	40,5	68	3/8-24	42,5	—	30	90	76	3/4-16
VDI-E2-6020	60	.750	123	40,5	68	1/2-20	42,5	—	30	90	76	3/4-16
VDI-E2-6025	60	1.000	123	40,5	68	1/2-20	42,5	—	30	90	76	3/4-16
VDI-E2-6032	60	1.250	123	40,5	68	1/2-20	42,5	—	30	90	76	3/4-16
VDI-E2-6040	60	1.500	123	40,5	98	1/2-20	42,5	—	30	90	76	3/4-16
VDI-E2-6050	60	2.000	123	40,5	98	1/2-20	42,5	—	30	100	86	3/4-16
VDI-E2-8020	80	.750	158	40,5	68	1/2-20	55	—	30	100	86	3/4-16
VDI-E2-8025	80	1.000	158	40,5	68	1/2-20	55	—	30	100	86	3/4-16
VDI-E2-8032	80	1.250	158	40,5	68	1/2-20	55	—	30	100	86	3/4-16
VDI-E2-8040	80	1.500	158	40,5	98	1/2-20	55	—	30	100	86	3/4-16
VDI-E2-8050	80	2.000	158	40,5	98	1/2-20	55	—	30	100	86	3/4-16



## Taper Drill Socket

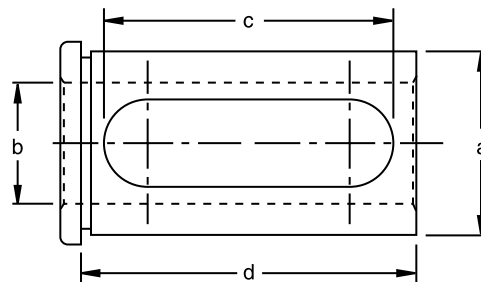
Type-TV



catalog number	d <sub>1</sub> (in.)	d <sub>2</sub>	l <sub>1</sub>	l <sub>2</sub>	l <sub>3</sub>	MT
TV150-MT1	1.500	52	60	16	76	MT1
TV150-MT2	1.500	52	60	16	76	MT2
TV150-MT3	1.500	52	71	43	114	MT3
TV150-MT4	1.500	52	71	43	114	MT4
TV175-MT1	1.750	57	60	16	76	MT1
TV175-MT2	1.750	57	60	16	76	MT2
TV175-MT3	1.750	57	81	33	114	MT3
TV175-MT4	1.750	57	81	33	114	MT4
TV175-MT5	1.750	57	81	69	150	MT5
TV200-MT1	2.000	62	60	16	76	MT1
TV200-MT2	2.000	62	60	16	76	MT2
TV200-MT3	2.000	62	81	33	114	MT3
TV200-MT4	2.000	62	81	33	114	MT4
TV200-MT5	2.000	62	81	69	150	MT5

## Toolholder Bushing

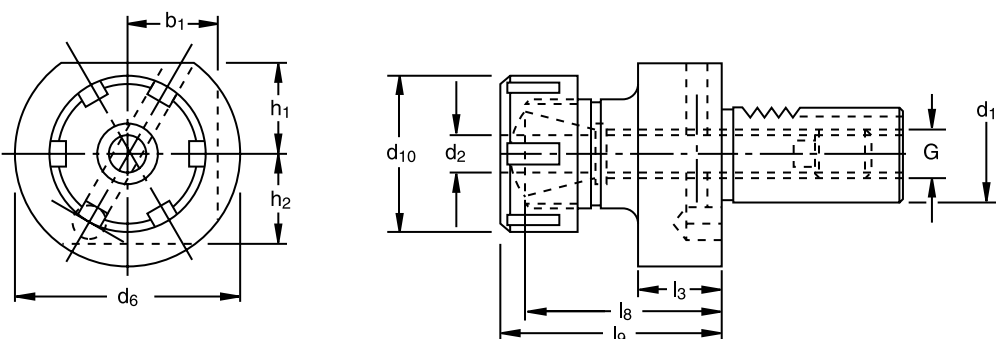
Type-CV



catalog number	A	B	C	D	catalog number	A	B	C	D
CV125-0250	1.250	.250	50	60	CV150-0250	1.500	.250	60	70
CV125-0375	1.250	.375	50	60	CV150-0375	1.500	.375	60	70
CV125-0500	1.250	.500	50	60	CV150-0500	1.500	.500	60	70
CV125-0625	1.250	.625	50	60	CV150-0625	1.500	.625	60	70
CV125-0750	1.250	.750	50	60	CV150-0750	1.500	.750	60	70
CV125-0875	1.250	.875	50	60	CV150-0875	1.500	.875	60	70
CV125-1000	1.250	1.000	50	60	CV150-1000	1.500	1.000	60	70
					CV150-1250	1.500	1.250	60	70

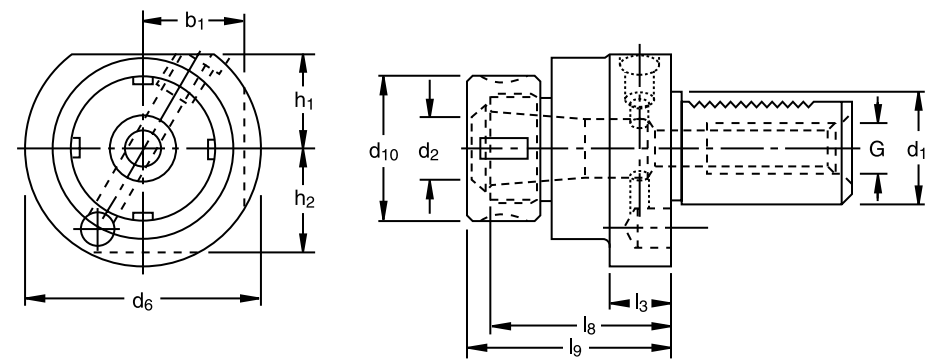
## Collet Chuck - ER

**Form E3**



catalog number	collet series	d <sub>1</sub>	d <sub>2</sub> (in.)	d <sub>2</sub> (mm)	d <sub>6</sub>	d <sub>10</sub>	b <sub>1</sub>	h <sub>1</sub>	h <sub>2</sub>	l <sub>3</sub>	l <sub>8</sub>	l <sub>9</sub>	G
VDI-ER-1616	16ER	16	1/32-3/8	0,5-10	40	28	—	18	18	13	30	40	5/16-24
VDI-ER-1620	20ER	16	1/32-9/16	1,0-13	40	34	—	18	18	13	33	45	5/16-24
VDI-ER-2016	16ER	20	1/32-3/8	0,5-10	50	28	—	23	23	18	30	40	3/8-24
VDI-ER-2025	25ER	20	1/32-5/8	1,0-16	50	42	—	23	23	18	38	50	3/8-24
VDI-ER-2032	32ER	20	1/16-3/4	2,0-20	50	50	—	23	23	18	48	60	3/8-24
VDI-ER-2040	40ER	20	3/32-1 1/32	3,0-26	50	63	—	23	23	18	52	66	3/8-24
VDI-ER-2525	25ER	25	1/32-5/8	1,0-16	58	42	—	25	25	18	38	50	3/8-24
VDI-ER-2532	32ER	25	1/16-3/4	2,0-20	58	50	—	25	25	18	48	60	3/8-24
VDI-ER-3025	25ER	30	1/32-5/8	1,0-16	68	42	30	28	30	22	63	75	5/8-18
VDI-ER-3032	32ER	30	1/16-3/4	2,0-20	68	50	30	28	30	22	63	75	5/8-18
VDI-ER-3040	40ER	30	3/32-1 1/32	3,0-26	68	63	30	28	30	22	61	75	5/8-18
VDI-ER-4025	25ER	40	1/32-5/8	1,0-16	83	42	—	32,5	—	22	63	75	5/8-18
VDI-ER-4032	32ER	40	1/16-3/4	2,0-20	83	50	—	32,5	—	22	63	75	5/8-18
VDI-ER-4040	40ER	40	3/32-1 1/32	3,0-26	83	63	—	32,5	—	22	61	75	5/8-18
VDI-ER-5040	40ER	50	3/32-1 1/32	3,0-26	98	63	—	35	—	30	61	75	5/8-18
VDI-ER-6040	40ER	60	3/32-1 1/32	3,0-26	123	63	—	42,5	—	30	61	75	5/8-18

## Collet Chuck - TG

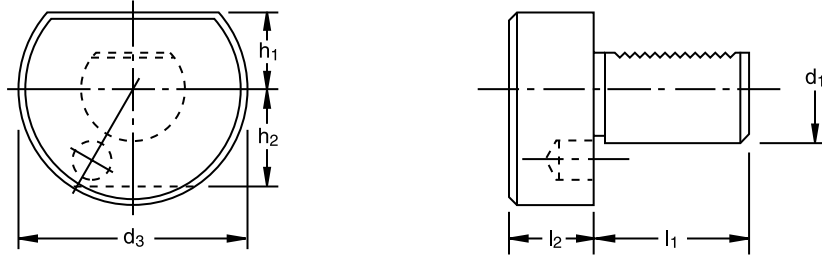


catalog number	collet series	d <sub>1</sub>	d <sub>2</sub> (in.)	d <sub>6</sub>	d <sub>10</sub>	b <sub>1</sub>	h <sub>1</sub>	h <sub>2</sub>	l <sub>3</sub>	l <sub>8</sub>	l <sub>9</sub>	G
VDI-TG-3075	75TG	30	3/64-3/4	68	50	30	28	30	22	63	77,4	5/8-18
VDI-TG-30100	100TG	30	3/32-1	68	60	30	28	30	22	63	82,1	5/8-18
VDI-TG-4075	75TG	40	3/64-3/4	83	50	—	32,5	—	22	63	77,4	5/8-18
VDI-TG-40100	100TG	40	3/32-1	83	60	—	32,5	—	22	63	82,1	5/8-18
VDI-TG-5075	75TG	50	3/64-3/4	98	50	—	35	—	30	63	77,4	5/8-18
VDI-TG-50100	100TG	50	3/32-1	98	60	—	35	—	30	63	82,1	5/8-18
VDI-TG-6075	75TG	60	3/64-3/4	123	50	—	42,5	—	30	63	77,4	5/8-18
VDI-TG-60100	100TG	60	3/32-1	123	60	—	42,5	—	30	63	82,1	5/8-18
VDI-TG-8075	75TG	80	3/64-3/4	158	50	—	55	—	40	63	77,4	5/8-18
VDI-TG-80100	100TG	80	3/32-1	158	60	—	55	—	40	63	82,1	5/8-18



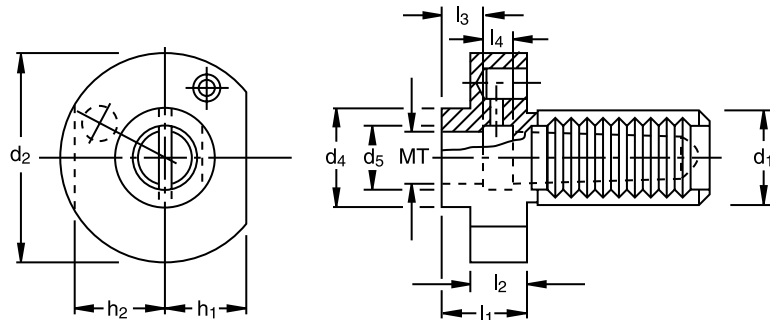
## Steel Plug

### Form Z2



catalog number	d <sub>1</sub>	d <sub>3</sub>	h <sub>1</sub>	h <sub>2</sub>	l <sub>1</sub>	l <sub>2</sub>
VDI-Z2-1640S	16	40	18	23	32	13
VDI-Z2-2050S	20	50	23	23	40	16
VDI-Z2-2558S	25	58	25	25	48	16
VDI-Z2-3068S	30	68	28	30	55	16
VDI-Z2-4083S	40	83	32,5	—	63	20
VDI-Z2-5098S	50	98	35	—	78	20
VDI-Z2-60123S	60	123	42,5	—	94	20
VDI-Z2-80158S	80	158	55	—	124	20

## Morse Taper



catalog number	d <sub>1</sub>	MT	d <sub>2</sub>	d <sub>4</sub>	d <sub>5</sub>	h <sub>1</sub> (in.)	h <sub>2</sub>	l <sub>1</sub>	l <sub>2</sub>	l <sub>3</sub>	l <sub>4</sub>
VDI-MT1-20	20	MT1	50	—	13,5	23	23	23	—	16	12
VDI-MT1-25	25	MT1	58	—	3	25	25	23	—	16	12
VDI-MT2-25	25	MT2	58	—	5	25	25	27	—	20	12
VDI-MT1-30	30	MT1	68	—	13,5	28	30	27	—	16	12
VDI-MT2-30	30	MT2	68	—	19,5	28	30	27	—	20	12
VDI-MT3-30	30	MT3	68	—	24,5	28	30	70	—	30	12
VDI-MT1-40	40	MT1	83	55	13,5	32,5	—	36	22	16	12
VDI-MT2-40	40	MT2	83	55	19,5	32,5	—	36	22	20	12
VDI-MT3-40	40	MT3	83	58	24,5	32,5	—	36	22	30	12
VDI-MT4-40	40	MT4	83	68	32	32,5	—	80	22	40	14
VDI-MT2-50	50	MT2	98	55	19,5	35	—	36	30	20	12
VDI-MT3-50	50	MT3	98	58	24,5	35	—	36	30	30	12
VDI-MT4-50	50	MT4	98	68	32	35	—	50	30	40	14
VDI-MT2-60	60	MT2	123	58	19,5	42,5	—	36	30	20	12
VDI-MT3-60	60	MT3	123	58	24,5	42,5	—	36	30	30	12
VDI-MT4-60	60	MT4	123	68	32	42,5	—	50	30	40	14
VDI-MT5-60	60	MT5	123	98	44	42,5	—	63	30	52	16
VDI-MT4-80	80	MT4	158	68	32	55	—	50	40	40	14
VDI-MT5-80	80	MT5	158	98	44	55	—	50	40	52	16

## Boring Bar Holder MZK

single coolant flow

catalog number	d <sub>1</sub>	d <sub>1</sub>	d <sub>6</sub>	d <sub>8</sub>	l <sub>3</sub>	l <sub>6</sub>	l <sub>7</sub>
VDIM-E4-5050	50	2	95.5	85	21	135	115
VDIM-E4-6050	60	2	120	95	29	128	112

## Collet Chuck MZK

ER32 or TG100

catalog number	d <sub>1</sub>	collet	d <sub>2</sub>	d <sub>6</sub>	d <sub>10</sub>	l <sub>3</sub>	l <sub>9</sub>
VDIM-ER-5032	50	ER-32	2-20	70	50	21	106.5
VDIM-ER-6032	60	ER-32	2-20	70	50	21	106.5
VDIM-TG-50100	50	TG100	2-25	70	60	21	112
VDIM-TG-60100	60	TG100	2-25	70	60	21	112

## Turning Toolholder MZK

left hand

catalog number	d <sub>1</sub>	b <sub>4</sub>	b <sub>5</sub>	b <sub>6</sub>	h <sub>1</sub>	h <sub>6</sub>	h <sub>7</sub>	l <sub>1</sub>	l <sub>2</sub>
VDIM-C2-5025	50	107	57	31.8	1	35	50	130	10
VDIM-C2-6032	60	122	72	40	1.25	55	56	155	10



## Turning Toolholder MZK

left-hand inverted

catalog number	d	b <sub>4</sub>	b <sub>5</sub>	b <sub>6</sub>	h <sub>1</sub>	h <sub>6</sub>	h <sub>7</sub>	l <sub>1</sub>	l <sub>2</sub>
VDIM-C4-5025	50	107	57	31.8	1	35	50	130	10
VDIM-C4-6032	60	122	72	40	1.25	55	56	155	10

## KM-LOC VDI

radial adapter

catalog number		d	d <sub>1</sub>	b <sub>1</sub>	b <sub>2</sub>	h <sub>1</sub>	h <sub>2</sub>	l <sub>1</sub>	l <sub>2</sub>	l <sub>3</sub>	hex
right hand	left hand										
KM32-CLRR-VDI3035	KM32-CLRL-VDI3035	32	30	35	45	68	38	23	20	55	6
KM40-CLRR-VDI4040	KM40-CLRL-VDI4040	40	40	40	48,5	79,5	42,5	25	24	63	8
KM50-CLRR-VDI5050	KM50-CLRL-VDI5050	50	50	50	63	95,5	53	30	30,5	78	10
KM63-CLRR-VDI6060	KM63-CLCL-VDI6060	63	60	60	62,5	113	62	37	39	94	10

## KM-LOC VDI

axial adapter

catalog number		d	d <sub>1</sub>	d <sub>2</sub>	h <sub>1</sub>	h <sub>2</sub>	l <sub>1</sub>	l <sub>2</sub>	l <sub>3</sub>	hex
right hand	left hand									
KM32-CLAN-VDI3060	KM32-CLAV-VDI3060	32	30	68	60	64	60	20	55	6
KM40-CLAN-VDI4070	KM40-CLAV-VDI4070	40	40	83	74	80	70	23	63	8
KM50-CLAN-VDI5080	KM50-CLAV-VDI5080	50	50	98	84	94	80	25	78	10
KM63-CLAN-VDI6090	KM63-CLAV-VDI6090	63	60	123	104	100	90	30	94	10
KM63-CLAN-VDI60160	KM63-CLAV-VDI60160	63	60	123	104	100	160	100	94	10

NOTE: Normal style shown. Inverted style has the hexagon clamping socket on the opposite side.

finding  
better  
ways



KENNAMETAL®

### North American Service Centers

#### California

6015 East Randolph Street  
Los Angeles, CA 90040-3486  
Phone 800-446-7738  
Fax 800-732-5760

#### Connecticut

1095 Day Hill Road  
Suite 150  
P.O. Box 800  
Windsor, CT 06095  
Phone 800-446-7738  
Fax 800-847-0004

#### Illinois

2150 Western Court  
Suite 300  
Lisle, IL 60532  
Phone 800-446-7738  
Fax 800-962-4910

#### Michigan

31572 Industrial Road  
Suite 300  
P.O. Box CN-5100  
Livonia, MI 48151-0510  
Phone 800-446-7738  
Fax 800-321-7290

#### North Carolina

4301 Westinghouse Boulevard  
Charlotte, NC 28273  
Phone 800-446-7738  
Fax 704-588-9687

#### Ohio

Duke World Park, Building #6  
5577 Spellmire Drive  
Cincinnati, OH 45246  
Phone 800-446-7738  
Fax 800-932-2399

#### Mexico (Sales Offices)

Kennametal de Mexico S.A. de C.V.  
Boulevard de la Santa Cruz No. 13  
Fracc. Boulevares, C.P. 53140  
Naucalpan  
Estado de Mexico  
Phone (52) 5 572 96 68  
Fax (52) 5 393 33 86

Kennametal de Mexico  
Morones Prieto 2805 Pte. 6-3  
Col. Loma Larga 64710  
Monterrey, N.L., Mexico  
Tel: 011-52-8-319-0244 al 47  
Fax: 011-52-8-319-0248

### Canada (Kennametal Ltd.)

#### Alberta

Unit No. 2, 9750-51 Avenue  
Edmonton, AB T6E 0A5  
Phone 800-446-7738  
Fax 403-436-9364

#### British Columbia

Unit 11, 3511 Viking Way  
Richmond, BC V6V 1W1  
Phone 800-446-7738  
Fax 604-273-8380

#### Manitoba

1226 Sherwin Road  
Winnipeg, MB R3H 0V3  
Phone 800-446-7738  
Fax 204-633-9162

#### Ontario

115B Matheson Boulevard West  
Suite #211  
Mississauga, ON L5R 3L1  
Phone 800-446-7738  
Fax 905-568-2955

#### Quebec

2244 - 46th Avenue  
Lachine, PQ H8T 2P3  
Phone 800-446-7738  
Fax 514-636-1756

Kennametal Inc.  
Metalworking Systems Division  
P.O. Box 231  
Latrobe, PA 15650

Customer Application Support Phone 800-835-3668

### International Locations

Argentina

Australia

Austria

Belgium/Luxembourg

Brazil

Canada

Chile

China

Colombia

Czech Republic

Denmark

Dominican Republic

Egypt

Finland

France

Germany

Greece

Hong Kong

Hungary

India

Israel

Italy

Japan

Korea

Malaysia

Mexico

Netherlands

New Zealand

Norway

Pakistan

Peru

Philippines

Poland

Portugal

Puerto Rico

Russia

Singapore

South Africa

Spain

Sweden

Switzerland

Taiwan

Thailand

Turkey

United Kingdom

Venezuela

Customer Service (United States and Canada) Phone **800-446-7738**  
See us on the Internet at <http://www.kennametal.com>